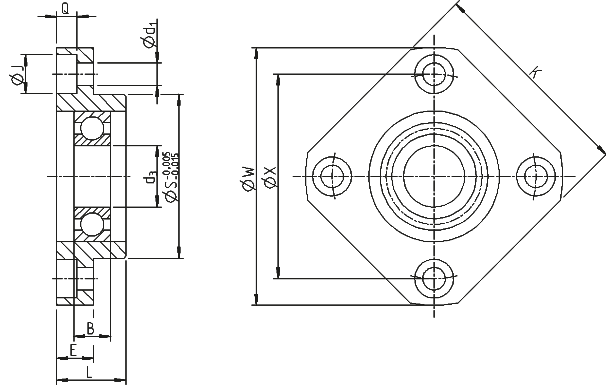


Accessories

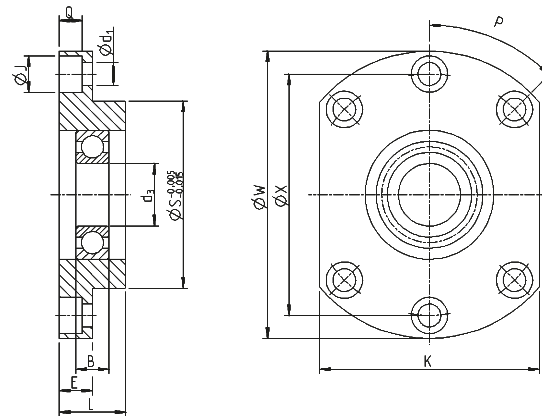
Bearing units AFF for screw end



Hole pattern with 4 holes



Hole pattern with 6 holes



For R-version!

We recommend a modified screw end for circlip DIN471 when screw jack is mounted inverse (screw pointing down).

| Dimensions | | | | | | | | | | | | | | | |
|------------|-------------------------|--------------|------------------------|-----------|-----------------|-----|-----|-----|----|----|----------------|------------------|------|----|-------|
| Size | Type/Size | Bearing type | Rated radial load [kN] | ID number | Dimensions [mm] | | | | | | | | | | |
| | | | | | W | X | S | K | L | E | d ₁ | d ₃ | J | Q | P (°) |
| MULI 0 | AFF 8 - Hole pattern 4 | 606 | 2,31 | - | 43 | 35 | 28 | 35 | 11 | 6 | 3,4 | 6 ¹⁾ | 6,5 | 4 | 90 |
| | AFF 10 - Hole pattern 4 | 608 | 3,35 | - | 52 | 42 | 34 | 42 | 12 | 7 | 4,5 | 8 | 8 | 5 | 90 |
| MULI 1 | AFF 12 - Hole pattern 4 | 6000 | 4,65 | 89032455 | 54 | 44 | 36 | 44 | 15 | 8 | 4,5 | 10 ²⁾ | 8 | 5 | 90 |
| MULI 2 | AFF 15 - Hole pattern 4 | 6002 | 5,70 | 89032456 | 63 | 50 | 40 | 52 | 17 | 9 | 5,5 | 15 | 9,5 | 6 | 90 |
| MULI 3 | AFF 20 - Hole pattern 4 | 6204 | 13,00 | 89032457 | 85 | 70 | 57 | 68 | 20 | 14 | 6,6 | 20 | 11 | 10 | 90 |
| MULI 4 | AFF 25 - Hole pattern 6 | 6205 | 14,30 | 89032436 | 122 | 100 | 80 | 92 | 30 | 15 | 11 | 25 | 17,5 | 11 | 45 |
| MULI 5 | AFF 40 - Hole pattern 6 | 6208 | 29,70 | 89032459 | 176 | 150 | 120 | 128 | 36 | 18 | 14 | 40 | 20 | 13 | 45 |

Note: Bearing units in different sizes and for other screw jack models upon request.

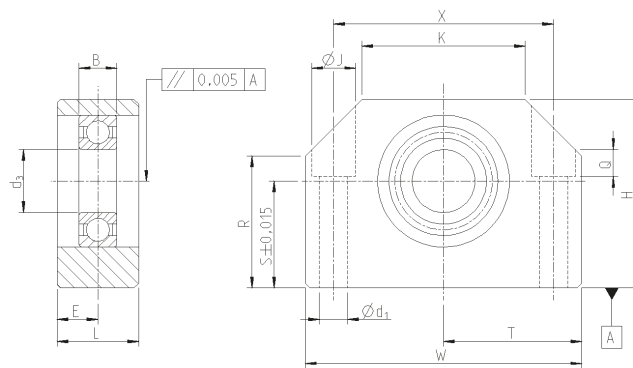
¹⁾ Modified screw end with D2 = Ø 6mm required

²⁾ Modified screw end with D2 = Ø 10mm required



Accessories

Bearing units BF for screw end



For R-version!

We recommend a modified screw end for circlip DIN471 when screw jack is mounted inverse (screw pointing down).

| Dimensions | | | | | | | | | | | | | | | | | |
|----------------------|-----------|--------------|------------------------|-----------|-----------------|-----|----|------|----|-----|-----|----------------|------------------|------|------|----|----|
| Size | Type/Size | Bearing type | Rated radial load [kN] | ID number | Dimensions [mm] | | | | | | | | | | | | |
| | | | | | W | H | S | R | T | X | K | d ₁ | d ₃ | J | Q | L | E |
| MULI 0 ¹⁾ | BF 8 | 606 | 2,31 | - | 52 | 32 | 17 | 18,5 | 26 | 38 | 25 | 6,6 | 6 ¹⁾ | 11 | 6,5 | 20 | 10 |
| | BF 10 | 608 | 3,35 | - | 60 | 39 | 22 | 26 | 30 | 46 | 34 | 6,6 | 8 | 11 | 6,5 | 20 | 10 |
| MULI 1 ²⁾ | BF 12 | 6000 | 4,65 | 89032448 | 60 | 43 | 25 | 30 | 35 | 46 | 35 | 6,6 | 10 ²⁾ | 11 | 6,5 | 20 | 10 |
| MULI 2 | BF 15 | 6002 | 5,70 | 89032438 | 70 | 48 | 28 | 33 | 43 | 54 | 40 | 6,6 | 15 | 11 | 6,5 | 20 | 10 |
| MULI 3 | BF 20 | 6004 | 9,55 | 89032441 | 88 | 60 | 34 | 42 | 44 | 70 | 52 | 9 | 20 | 14 | 8,5 | 26 | 13 |
| MULI 4 | BF 25 | 6205 | 14,30 | 89032449 | 106 | 80 | 48 | 59 | 53 | 85 | 64 | 11 | 25 | 17,5 | 11 | 30 | 15 |
| MULI 5 | BF 40 | 6208 | 29,70 | 89032450 | 160 | 110 | 60 | 90 | 80 | 130 | 100 | 18 | 40 | 26 | 17,5 | 37 | 37 |

Note: Bearing units in different sizes and for other screw jack models upon request.

¹⁾ Modified screw end with D2 = Ø 6 mm required

²⁾ Modified screw end with D2 = Ø 10 mm required